

VIBRATION TRANSMITTER

TR-26



The integrated transmitter TR-26 measures the absolute vibrations of any rotating machine support and it is able to interface directly in 2 wires technique (current loop 4 ÷ 20 mA) to an acquisition system (PLC or DCS).

The transmitter, secured directly on machinery, generates an electric signal (4÷20 mA) which is proportional respectively to vibration velocity or acceleration. The transmitter is made of an AISI 316L body with machine connection thread; the connection to the acquisition system is effected by means of a MIL-C-5015-2 poles connector.

NOTE: The transmitter is available in different configuration versions and does not need any set-up or maintenance.

The transmitter is certificate SIL 2 for functional safety.

The transmitter is certified for application in classified area as

ATEX:	IECEX:	CSA/UL HazLoc:	
<ul style="list-style-type: none"> ⚡ II 2G Ex ia IIC T6/T5/T4 Gb ⚡ II 2D Ex ia IIIC T85°C/T100°C/135°C Db ⚡ II 3G Ex ec IIC T6/T5/T4 Gc ⚡ II 3D Ex tc IIIC T85°C/T100°C/135°C Dc 	<ul style="list-style-type: none"> Ex ia IIC T6/T5/T4 Gb Ex ia IIIC T85°C/T100°C/135°C Db Ex ec IIC T6/T5/T4 Gc Ex tc IIIC T85°C/T100°C/135°C Dc 	<ul style="list-style-type: none"> Class 1 Division 1 Groups A,B,C,D T6...T4 Class 2 Division 1 Groups E, F, G T85°C...135°C Class III, Division 1, T85°C...135°C Ex ia IIC T6...T4 Gb Ex ia IIIC T85°C...135°C Db AEx ia IIC T6...T4 Gb AEx ia IIIC T85°C...135°C Db 	<ul style="list-style-type: none"> Class 1 Division 2 Groups A,B,C,D T6...T4 Class 2 Division 2 Groups E, F, G T85°C...135°C Class III, Division 2, T85°C...135°C Ex ec IIC T6...T4 Gc Ex tc IIIC T85°C...135°C Dc AEx ec IIC T6...T4 Gc AEx tc IIIC T85°C...135°C Dc

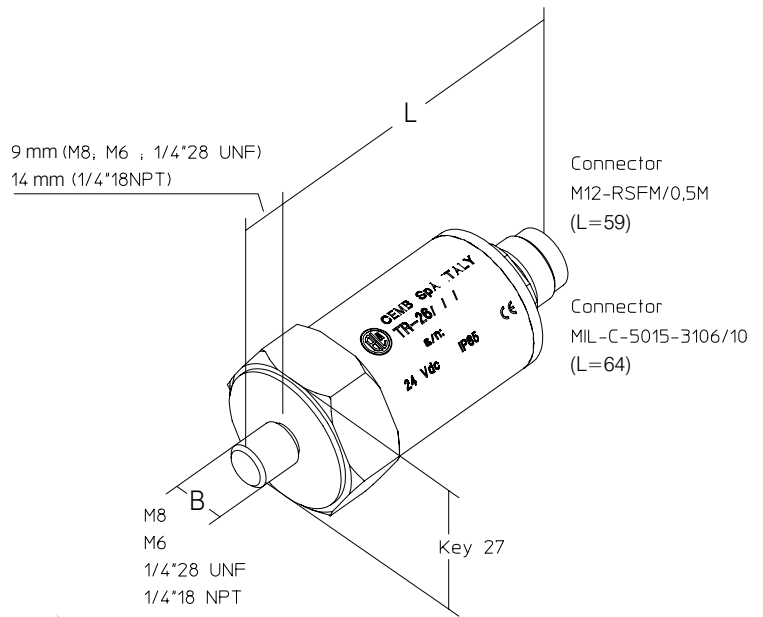
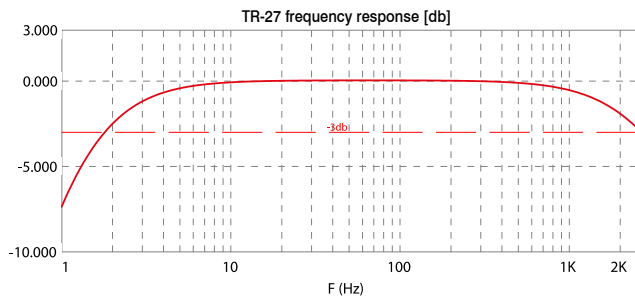


TECHNICAL CHARACTERISTICS

Composition	<ul style="list-style-type: none"> ■ AISI 316L stainless steel body
Power supply	<ul style="list-style-type: none"> ■ 24 Vdc (10 ÷ 35 Vdc) current loop 4 ÷ 20 mA (2 wires)
External connections	<ul style="list-style-type: none"> ■ MIL-C-5015 2 poles connector (conductors max section 2,5 mm²) ■ 4 poles M12 connector
Environmental	<ul style="list-style-type: none"> ■ - 60°C ÷ + 120°C ■ IP 65 EN 60529/10.91 standards
Measure type	<ul style="list-style-type: none"> ■ omnidirectional seismic (absolute vibration)
Application axis	<ul style="list-style-type: none"> ■ any
Dynamic field	<ul style="list-style-type: none"> ■ ± 18 g
Transverse sensitivity	<ul style="list-style-type: none"> ■ < 5 %
Linearity	<ul style="list-style-type: none"> ■ ± 2% - 75 Hz
Dynamic performances	<ul style="list-style-type: none"> ■ ±3% / 10Hz-1kHz ■ -3db / 1,5Hz - 2kHz
Insulation	<ul style="list-style-type: none"> ■ ≥ 10⁸ Ω between signal and container
Standard machine connection thread	<ul style="list-style-type: none"> ■ see tables ■ "MACHINE CONNECTION THREAD"
Maintenance	<ul style="list-style-type: none"> ■ no maintenance is needed
Electrical connections	<ul style="list-style-type: none"> ■ bipolar shielded cable
Mounting torque	<ul style="list-style-type: none"> ■ 5 ÷ 10 N-m



TR-26



ORDER INFORMATION

TR - 26 / / / /

A: MEASURING FIELD [RMS]

0	0 ÷ 10 mm/s
1	0 ÷ 20 mm/s
2	0 ÷ 50 mm/s
3	0 ÷ 100 mm/s
4	0 ÷ 1 g
5	0 ÷ 5 g
6	0 ÷ 10 g
7	0 ÷ 25,4 mm/s (0 ÷ 1 in/s)
8	0 ÷ 12,7 mm/s (0 ÷ 0,5 in/s)
S	special to be defined

B: MACHINE CONNECTION THREAD

0	M8x1,25
1	1/4" - 18NPT
2	1/4" - 28UNF
3	M6x1
4	M8x1
5	M10x1

C: CERTIFICATIONS

0	Safe area
2	ATEX
4	CSA/UL HazLoc
5	IECEX

D: CONNECTION

0	MIL-C-5015 2 pins
1	M12 4 pins (only for safe area)

CABLES AND OPTIONAL ACCESSORIES

تجهیز انرژی باکhtar

TAJHIZ ENERGY BAKHTAR



SHIELDED CABLE 2X1 STANDARD 80419-P
CBL/TR-26 / S / 0 / XX (length in meters)



SHIELDED CABLE ARMoured IN ETFE 87SEA7952
CBL/TR-26 / E / 0 / XX (length in meters)



SHIELDED CABLE 2X1 WITH METAL JACKET COVERED BY PVC 95743-P
CBL/TR-26 / A / 0 / XX (length in meters)



2 PINS STRAIGHT (standard) 597023104



2 PINS 90° 597023108 + 590703052



4 PINS M12 593121013

ZENER BARRIER Z787 (for hazardous area) 800208787

B5MAG10 CY002 PLASTIC TAG 040STR000

B5MAG10 CY002 STAINLESS STEEL TAG 980710835



CEMB
BALANCING MACHINES

CEMB S.p.A.
Via Risorgimento, 9
23826 MANDELLO DELLARIO (LC) Italy
www.cemb.com

Vibration analysis division:
phone +39 0341 706111
fax +39 0341 706299
e-mail: stm@cemb.com