

VELOMITOR TRANSDUCER

TV-22 TV-32

TV-22 and TV-32 transducers seismically measure absolute vibration by a direct installation on the supports of the vibrating part and supplies an output signal directly proportional to the vibration. This signal can subsequently be processed by a measuring channel of a CEMB "T" series device.

TV-22 and TV-32 transducers exploits the piezoelectric effect, generates an electric signal proportional to the vibration speed.



TECHNICAL CHARACTERISTICS	TV-22	TV-32
GENERAL		
Type of measurement	■ seismic (absolute vibration) piezoelectric	■ seismic (absolute vibration) piezoelectric
Sensitivity	■ 4 mV/mm/sec.	■ 20 mV/mm/sec.
Dynamic range	■ ± 1270 mm/sec.	■ ± 254 mm/sec.
Frequency response	■ ± 3 dB 1,5 ÷ 12000 Hz	■ ± 3 dB 1,0 ÷ 10000 Hz
Vibration direction	■ any	■ any
ELECTRICAL		
Settling time	■ < 4 sec.	■ < 4 sec.
Power supply	■ 2÷10 mA - 18÷30 Vdc	■ 2÷10 mA - 18÷30 Vdc
Output polarization voltage	■ 10-14 Vdc	■ 10-14 Vdc
Output impedance	■ < 100 ohm	■ < 100 ohm
Outer casing insulation	■ > 10 ⁸ ohm	■ > 10 ⁸ ohm
AMBIENT		
Temperature range	■ -50°C ÷ +121°C	■ -50°C ÷ +121°C
Protection against shocks	■ 5000 g pk	■ 5000 g pk
Electromagnetic sensitivity	■ CE	■ CE
Protection against external agents	■ IP68	■ IP68
PHYSICAL		
Weight	■ 90 g	■ 90 g
Resonance frequency	■ 25 kHz	■ 25 kHz
Outer casing material	■ AISI 316-L stainless steel	■ AISI 316-L stainless steel
Thread	■ 1/4"-28UNF (standard) ■ M8 X 1,25 ■ M6 X 1,0 ■ M10 X 1,5	■ 1/4"-28UNF (standard) ■ M8 X 1,25 ■ M6 X 1,0 ■ M10 X 1,5
Connection	■ MIL-C-5015	■ MIL-C-5015
Tightening torque	■ da 2,7 a 6,8 Nm	■ da 2,7 a 6,8 Nm

TV-22 TV-32

ORDER INFORMATION:

A
TV-22/

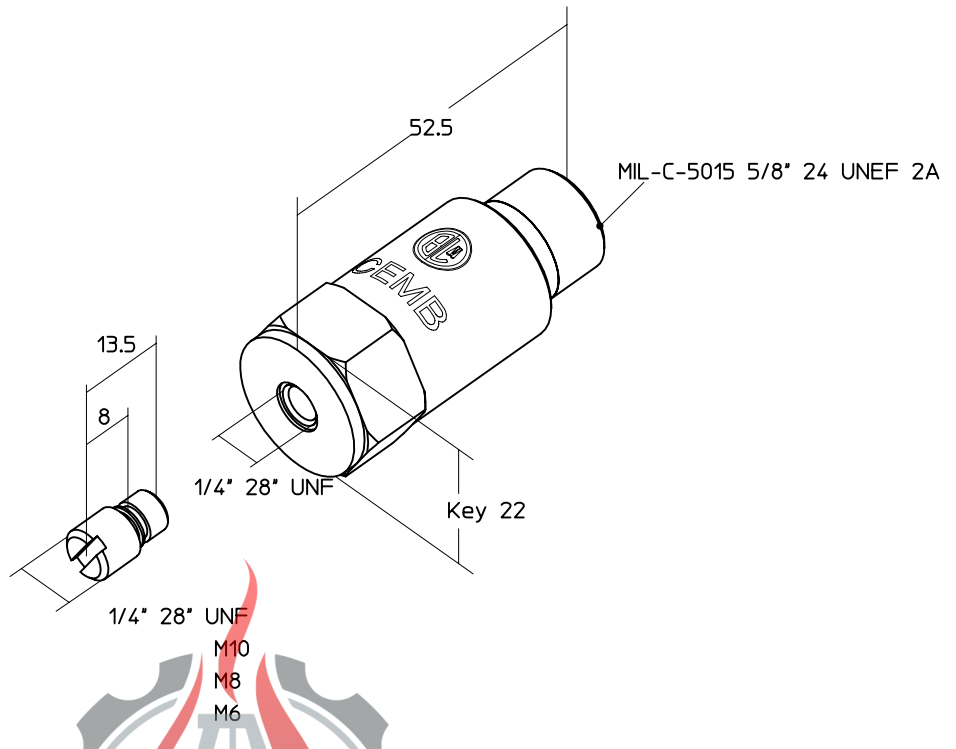
A: THREAD

0	1/4" - 28 UNF
1	M8 X 1,25
2	M6 X 1
3	M10 X 1,5
4	M10 X 1
9	MULTI THREAD KIT (1/4"-28 UNF - M8X1.25 - M6X1 - M10X1,5)

A
TV-32/

A: THREAD

0	1/4" - 28 UNF
1	M8 X 1,25
2	M6 X 1
3	M10 X 1,5
4	M10 X 1
9	MULTI THREAD KIT (1/4"-28 UNF - M8X1.25 - M6X1 - M10X1,5)



CABLES AND OPTIONAL ACCESSORIES

CABLES:



SHIELDED CABLE 2X1 STANDARD

CBL / TV22 / S / 0 / XX (length in meters)



SHIELDED CABLE ARMoured IN ETFE

CBL / TV22 / E / 0 / XX (length in meters)



SHIELDED CABLE 2X1 WITH METAL JACKET COVERED BY PVC

CBL / TV22 / A / 0 / XX (length in meters)

ONLY CONNECTORS:



2 PINS STRAIGHT (standard)

597023104



2 PINS 90°

597023108 + 5970352

TAGS:

B5MAG10 CY002

PLASTIC TAG

040STR000

B5MAG10 CY002

STAINLESS STEEL TAG

980710835